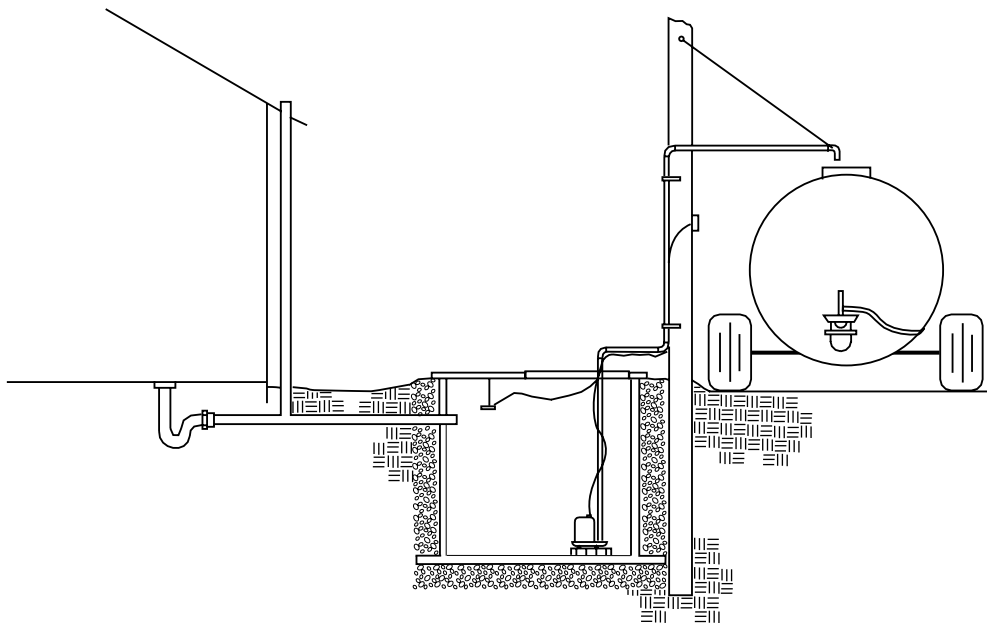




THE DAIRY PRACTICES COUNCIL

Guideline for Milking Center Wastewater



Natural Resource, Agriculture, and Engineering Service

Cooperative Extension

History of This Guideline

This guideline replaces *Guidelines for Handling Liquid Effluent from Milking Centers*, DPC 15, first published by The Dairy Practices Council (formerly The Northeast Dairy Practices Council) in 1975 and last reprinted in 1990.

Guideline for Milking Center Wastewater, DPC 15, is a joint undertaking by the Natural Resource, Agriculture, and Engineering Service and The Dairy Practices Council. Special appreciation is extended to Peter E. Wright and Robert E. Graves for their leadership role in developing this guideline, and to the many other individuals who assisted in its preparation, including the members of the Farm Buildings and Equipment Task Force, chaired by Stanley A. Weeks.

DPC Approved Copy

Exceptions for individual states,
if any, are footnoted.

**Copies of this guideline are available from The Dairy Practices Council and the
Natural Resource, Agriculture, and Engineering Service (NRAES)**

About DPC

The Dairy Practices Council (DPC) is a non profit organization of education, industry, and regulatory personnel concerned with milk quality, sanitation, and regulatory uniformity.

The mission of DPC is to (1) develop and disseminate educational guidelines directed to proper and improved sanitation practices in the production/processing of milk, and the manufacture of dairy products and (2) facilitate the adoption of sound, uniform, and improved procedures related to the production, processing, and distribution of high quality fluid milk and dairy products. The intent of these objectives is a cooperative effort of In-

dustry, Education, and Regulatory. The further interest is not to duplicate, but to cooperate with other organizations which have similar goals.

For more information, contact DPC.

The Dairy Practices Council (DPC)
51 East Front Street, Suite 2
Keyport, NJ 07735

Phone: (732) 203-1947

Fax: (732) 203-1947

E-mail: DAIRYPC@DAIRYPC.ORG

Web site: WWW.DAIRYPC.ORG

Guideline for Milking Center Wastewater

Prepared by

Peter E. Wright
Animal Waste Specialist
Agricultural and Biological Engineering
Cornell Cooperative Extension
and member, Farm Buildings and Equipment Task Force
The Dairy Practices Council

Robert E. Graves
Professor
Agricultural and Biological Engineering
The Pennsylvania State University
and member, Farm Buildings and Equipment Task Force
The Dairy Practices Council

With assistance from

Michael F. Brugger, Mark Dougherty, J. Robert Engle, Nancy Ferris, William Graves,
Kirt Hartzell, Wilmot W. Irish, Joseph Moreau, John Porter,
Marty Sailus, Stanley A. Weeks

Natural Resource, Agriculture, and Engineering Service
Cooperative Extension
PO Box 4557
Ithaca, New York 14852-4557

DPC 15
NRAES-115
June 1998

ISBN 978-0-935817-26-3

Requests to reprint parts of this book should be sent to NRAES. In your request, please state which parts of the book you would like to reprint and describe how you intend to use the reprinted material. Contact NRAES if you have any questions.

Natural Resource, Agriculture, and Engineering Service (NRAES)
Cooperative Extension
PO Box 4557
Ithaca, New York 14852-4557

Phone: (607) 255-7654
Fax: (607) 254-8770
E-mail: NRAES@CORNELL.EDU
Web site: WWW.NRAES.ORG

Table of Contents

Section 1: Introduction	1
Section 2: Wastewater Characteristics	3
Estimating the Amount of Waste Produced	3
Section 3: Source Control	7
Section 4: The Milking Center Drainage System	9
Codes and Regulations	9
Components	9
Floor Construction	9
Floor Slopes	9
Drain Placement and Type	10
Gutter Sizing and Type	11
Materials, Drains, and Pipes	11
Drainage Systems for the Milking Center	12
Milk Room Drains	12
Cow Platform Drainage System	13
Holding Area	15
Operator Area Drainage System	15
Utility and Storage Rooms	17
Good Milking Center Drainage Systems	17
Section 5: Treatment Alternatives	18
Liquid Manure System	18
Short-Term Storage and Land Application with Manure Spreader	20
Settling Tanks	22
Grass Filter	23
Aerobic Lagoon	27
Organic Filter Bed	28
Septic System	29
Constructed Wetlands	29
Stone-Filled Treatment Trench	30
Spray Irrigation	30
Lime Flocculator Treatment	30
Aerated Septic System	31
Safety	31
Health Concerns	31
Section 6: Conclusions	32
References	33

List of Figures

1. Floor wash/drainage systems	10
2. Deep seal traps and cleanouts	12
3. Milking parlor platform drain systems.....	14
4. Milking center drainage system using one deep water seal trap	16
5. Milk house short-term storage for land application	21
6. Settling tanks with pump or siphon for milking center wastewater	22
7. Plan view of a typical filter strip system that is pumped or dosed.....	23
8. Typical pump tank	24
9. Typical siphon tank	24
10. Plan, end, and cross-section views of filter strips that allow resting	25
11. Profile of filter strip that allows resting by delayed pumping or dosing.....	26
12. Plan view of distribution pipe and filter area of filter strip that allows resting by delayed pumping or dosing	27
13. Cross section of an aerobic lagoon	28

List of Tables

1. Wastewater generation from washing operations	3
2. Dairy waste characterization—milking center.....	6
3. Water conservation methods for milking centers	7
4. Waste milk removal practices, potentials, and costs	8
5. Manure reduction methods and costs for milking centers	8
6. Phosphorus reduction methods and costs.....	8
7. Comparison of treatment methods	19
8. Comparison of factors to consider in selecting a treatment system	20